

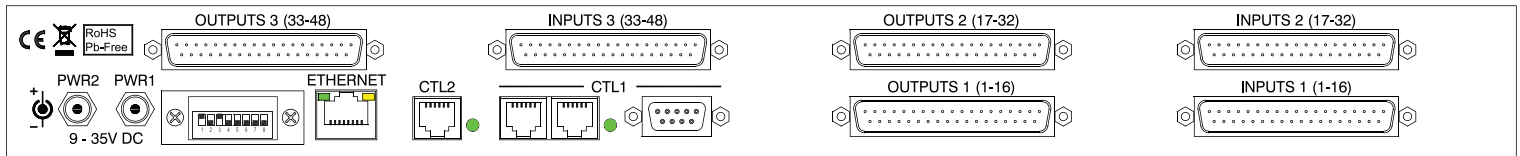
TXI-48 / TXI-80

TALLY EXPANSION INTERFACE WITH 48 / 80 GPI I/O

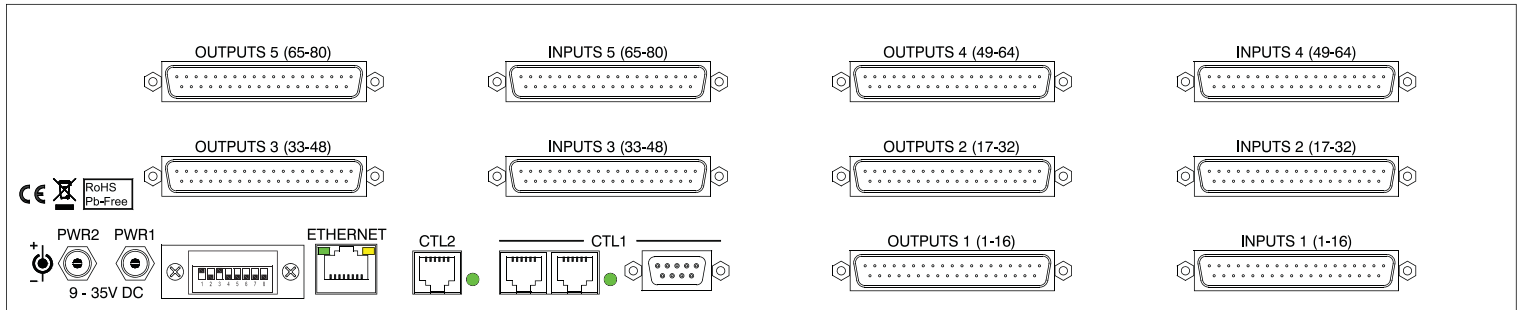


- Ethernet enabled GPI I/O frame for TSI-1000
- TCP/IP connectivity allows TXI frame to be located long distances from tally controller
- Momentary or steady state outputs
- Latching of momentary inputs
- Up to 80 I/O in 2 RU frame, 48 I/O in 1 RU frame
- 16 inputs or 16 outputs per I/O connector
- System status indicated on tri-color LED's
- 2 input configurations available:
 - Pull to ground inputs (dry)
 - Jumper configurable voltage (wet) or pull to gnd (dry)
- Isolated dry contact closure (relay) outputs

TXI-48 / TXI-80 TALLY EXPANSION INTERFACE



TXI-48



TXI-80

Ordering Information

- | | |
|-----------------------|---|
| 134-0054-01 TXI-48/16 | TALLY EXPANSION INTERFACE WITH 16 PULL TO GROUND INPUTS AND 16 CONTACT CLOSURE OUTPUTS. Expandable to 48 I/O. INCLUDES 2 WALL MOUNT POWER SUPPLIES |
| 134-0054-02 TXI-48 | TALLY EXPANSION INTERFACE WITH 48 PULL TO GROUND INPUTS AND 48 CONTACT CLOSURE OUTPUTS. INCLUDES 2 WALL MOUNT POWER SUPPLIES |
| 134-0054-03 TXI-80 | TALLY EXPANSION INTERFACE WITH 80 PULL TO GROUND INPUTS AND 80 CONTACT CLOSURE OUTPUTS. INCLUDES 2 WALL MOUNT POWER SUPPLIES |
| 134-0054-04 TXI-48/16 | TALLY EXPANSION INTERFACE WITH 16 JUMPER CONFIGURABLE INPUTS AND 16 CONTACT CLOSURE OUTPUTS. Expandable to 48 I/O. INCLUDES 2 WALL MOUNT POWER SUPPLIES |
| 134-0054-05 TXI-48 | TALLY EXPANSION INTERFACE WITH 48 JUMPER CONFIGURABLE INPUTS AND 48 CONTACT CLOSURE OUTPUTS. INCLUDES 2 WALL MOUNT POWER SUPPLIES |
| 134-0054-06 TXI-80 | TALLY EXPANSION INTERFACE WITH 80 JUMPER CONFIGURABLE INPUTS AND 80 CONTACT CLOSURE OUTPUTS. INCLUDES 2 WALL MOUNT POWER SUPPLIES |



1620 Midland Ave.
 Toronto, Ontario
 Canada, M1P 3C2
 Tel: (416)750-8872
 sales@imagevideo.com

Fax: (416)750-8015
 www.imagevideo.com

Distributed By: